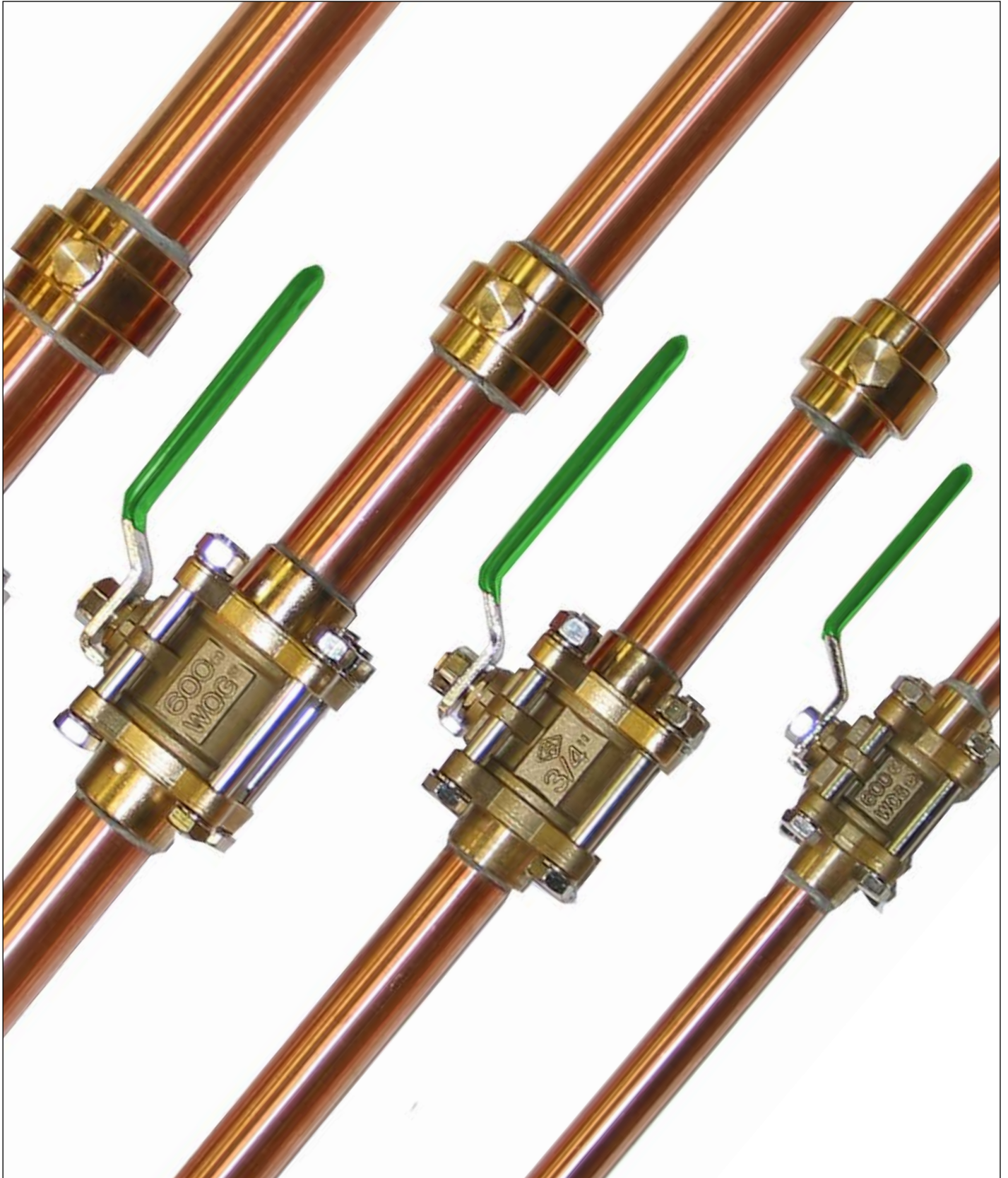


Distributed by:  
*John Sterling, Inc.*

Medical Shutoff Valves  
with extensions



Distributed by:  
*John Sterling, Inc.*

# Medical Shutoff Valves with extensions

### Valve Description:

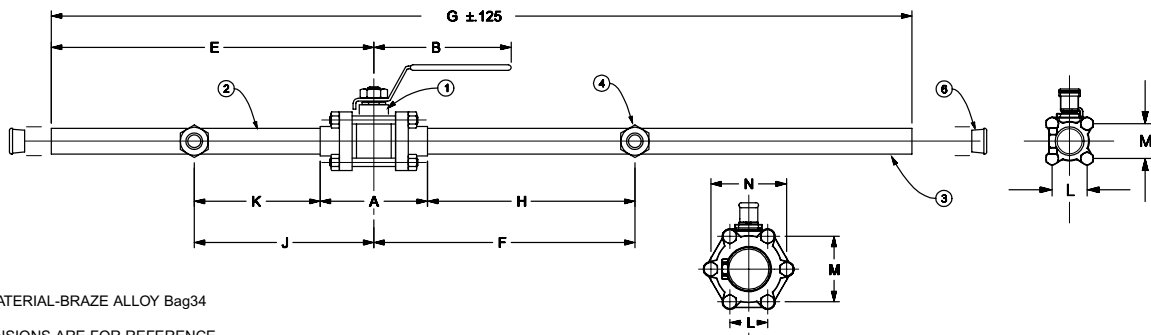
Shutoff valve is a full port, double seal, ball-type three piece design with bronze/brass body and chrome-plated brass ball. Only 1/4 turn of the handle is required to operate the valve from open to closed position. All valves are serviceable in the line and supplied clean and prepared for oxygen service as per CGA G-4.1. Valves are capped and packaged in a polyethylene bag to keep them clean. **All valves are sold in box quantity packaging.**

### Valve Design:

Valves are designed for working pressure up to 600 psig WOG. Valve body has Teflon® material ball seat and Teflon® material stem seals. Seats/seals, lubricants and valve materials are compatible with USP oxygen, nitrous oxide, medical air, carbon dioxide, helium, nitrogen and mixtures thereof at continuous pressure up to 600 psig and vacuum service to 29" Hg. Valves are provided with type-K copper tube extensions for making connections on the pipeline.

### Features:

- 3 Piece design for ease of maintenance
- Teflon® seats and seals
- 100% hydrostatically tested
- Full port design
- Valve locking handle available
- 2 gauge port design



NOTE:

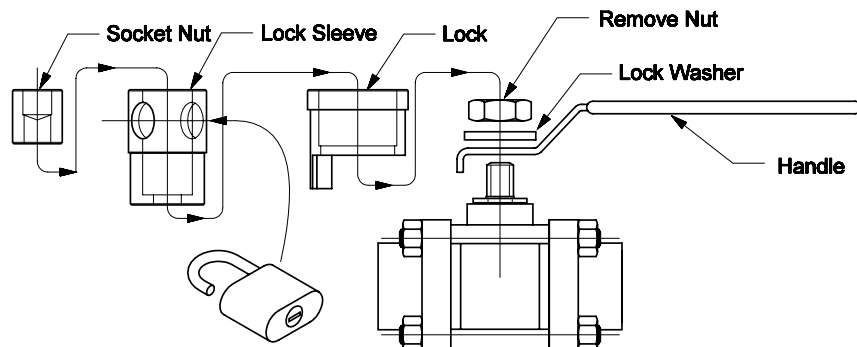
- ① BRAZE MATERIAL-BRAZE ALLOY Bag34
- ② ALL DIMENSIONS ARE FOR REFERENCE.

\* SIX BOLTS USED ON 2-1/2" & 3" VALVES

### Dimensions: (inches)

Valve Size	Part Number	A	B	D	E	F	G	H	J	K	L	M	N
1/2"	41050-01	2.62	3.35	1.69	7.87	6.37	21.00	5.06	2.38	1.07	1.31	.93	----
3/4"	41075-01	2.93	4.33	1.89	8.25	6.06	21.00	4.60	2.69	1.23	1.43	1.43	----
1"	41100-01	3.44	4.33	2.05	8.58	5.87	21.00	4.15	2.88	1.16	1.62	1.62	----
1-1/4"	41125-01	3.96	5.12	2.56	8.75	5.50	21.00	3.52	3.25	1.27	2.00	2.00	----
1-1/2"	41150-01	4.43	5.12	2.72	8.87	5.37	21.00	3.16	3.38	1.17	2.25	2.25	----
2"	41200-01	5.55	6.30	3.15	10.87	5.00	21.00	2.23	3.75	.98	2.81	2.81	----
2-1/2"	41250-01	6.73	9.06	4.29	16.00	4.25	32.00	0.89	4.25	.89	2.50	4.33	5.00
3"	41300-01	7.56	9.06	4.61	16.00	4.50	32.00	0.72	4.50	.72	2.75	4.73	5.50

NOTE: TYPICAL DIMENSIONS ONLY. NOT TO BE USED FOR CONSTRUCTION WITHOUT CONSULTING FACTORY. SUBJECT TO CHANGE WITHOUT NOTICE.



*John Sterling, Inc.*

phone: (859) 586-2971

fax: (859) 586-4207

email: [info@johnsterlinginc.com](mailto:info@johnsterlinginc.com)

web: [johnsterlinginc.com](http://johnsterlinginc.com)